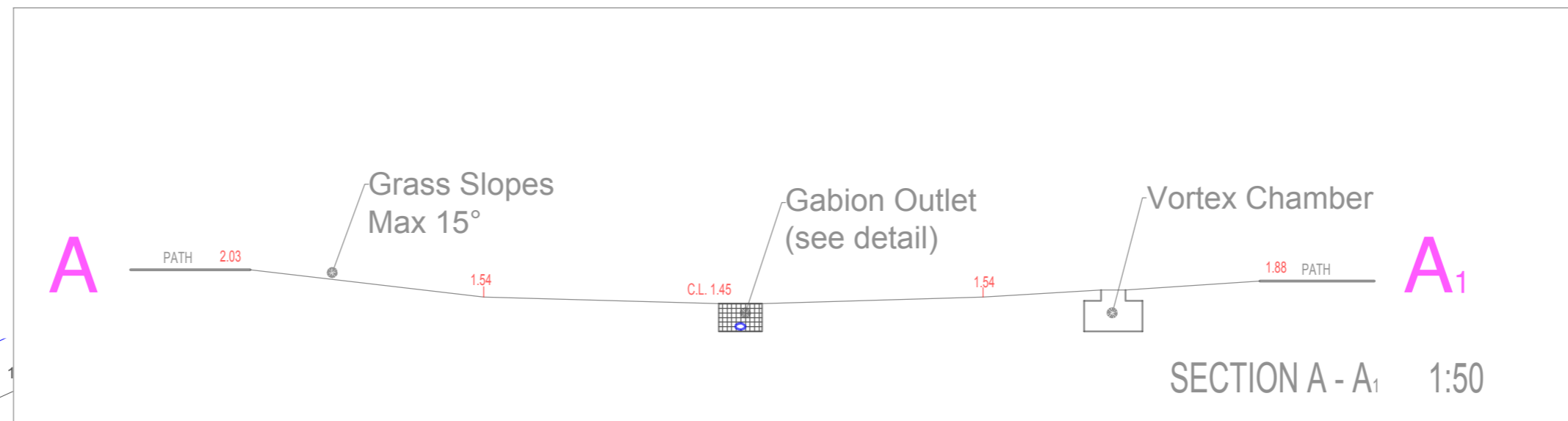
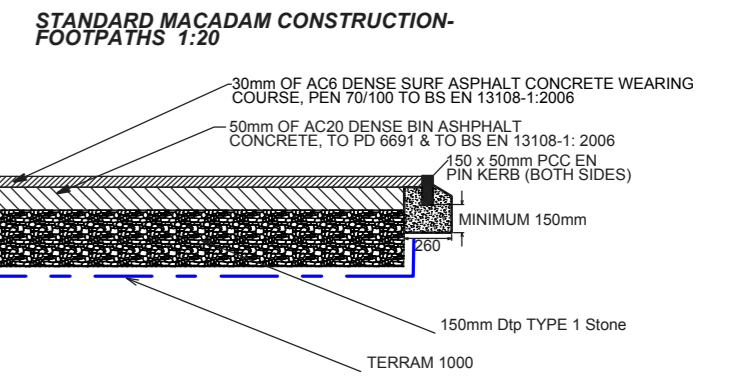
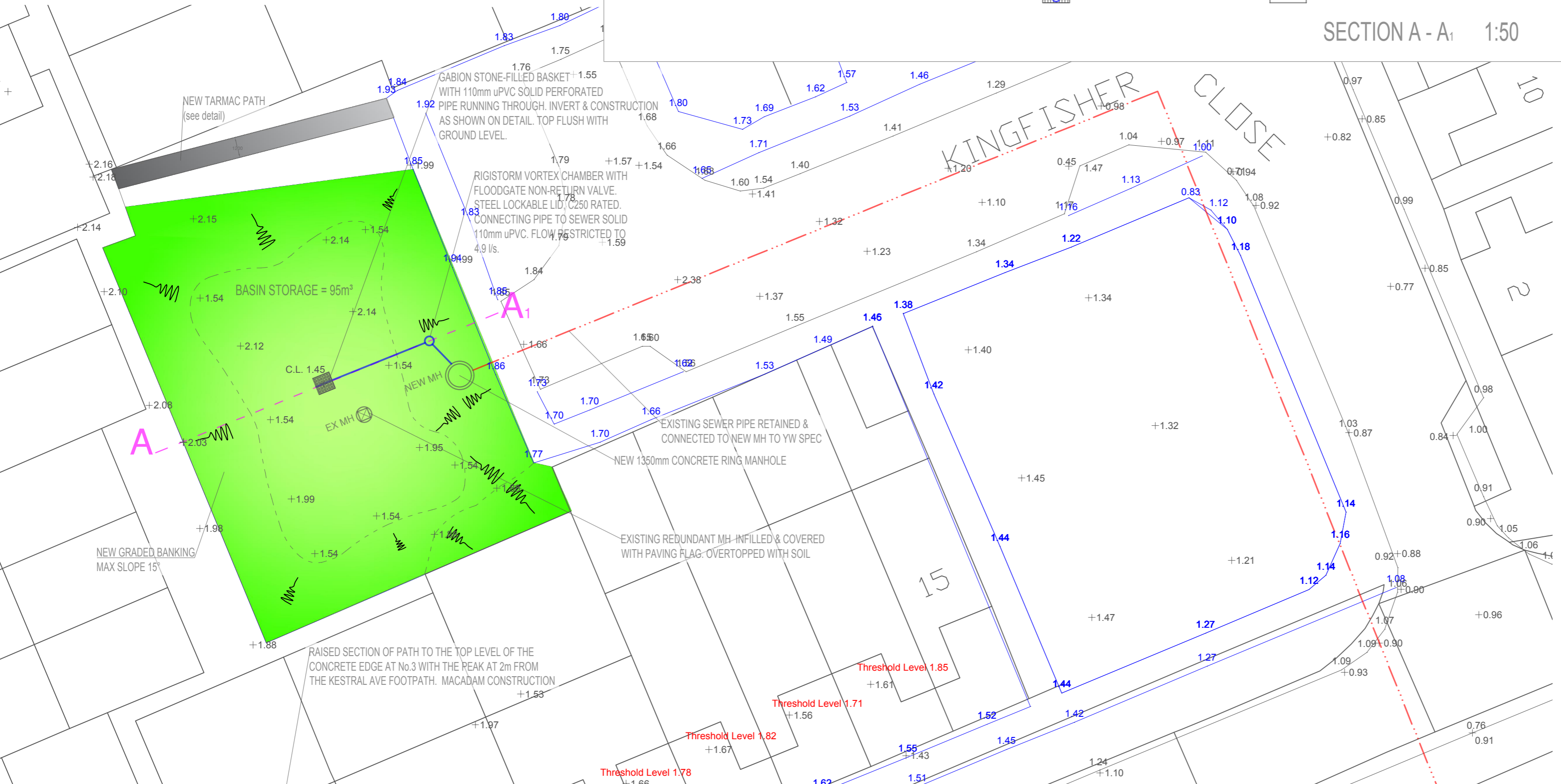


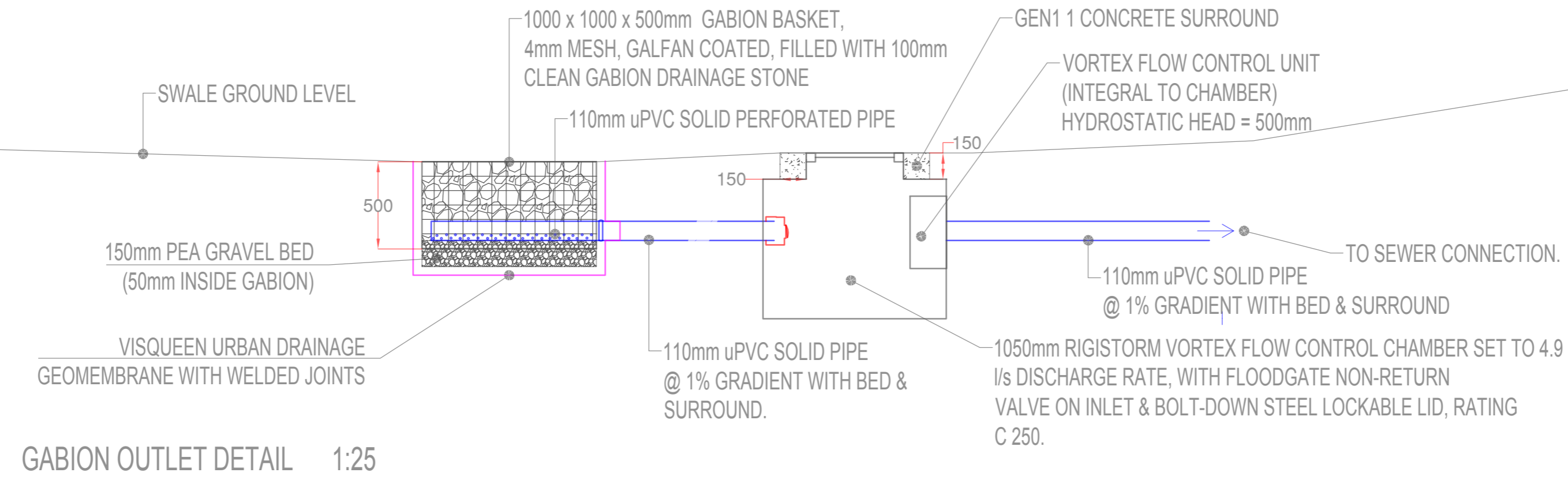
Area seeded area with GERMINAL A.19 @ 50g/m².



NOTES:
 This drawing is produced for use in this project only and may not be used for any other purpose. NPS Property Consultants Ltd accept no liability for the use of this drawing other than the purpose for which it was intended in connection with this project as recorded on the title block fields. Purpose for issue and Title Status Code.
 This drawing may not be reproduced in any form without prior written agreement.
 Do not scale from the drawing, use written dimensions only.



As-Built	AB
REVISOR: pc	DATE: 10/5/17
CHECKED BY: BL	DATE: 10/5/17
in partnership with	
SCALE BAR	
PURPOSE OF ISSUE: AS-BUILT	
FILE STATUS CODE: AB	
© COPYRIGHT NPS GROUP	
A2	



		NPS Property Consultants Ltd Earle House, Colonial Street, Kingston Upon Hull, East Yorkshire, HU2 8JY TEL: 01482 334477 FAX: 01482 334478 EMAIL: hull@nps.co.uk	
Property Design and Management Services		Head Office: Lancaster House, 18 Central Avenue, St Andrews Business Park, Norwich, NR7 0NR. Tel: 01603 706000 Fax: 01603 706001 Other Office locations can be found on our website: www.nps.co.uk	
CLIENT	KHCC		
PROJECT	Kingfisher Aqua Green		
TITLE	As-Built Drawings		
SCALES	DATE	DRAWN	CHECKED
1:200	May 2017	pc	BL
FILE / DRAWING NAME	DRAWING FIELDS	UNIQUE NR	REV CODE
PROJECT NR	16-1-1378	NPS-DR-L 804	C1