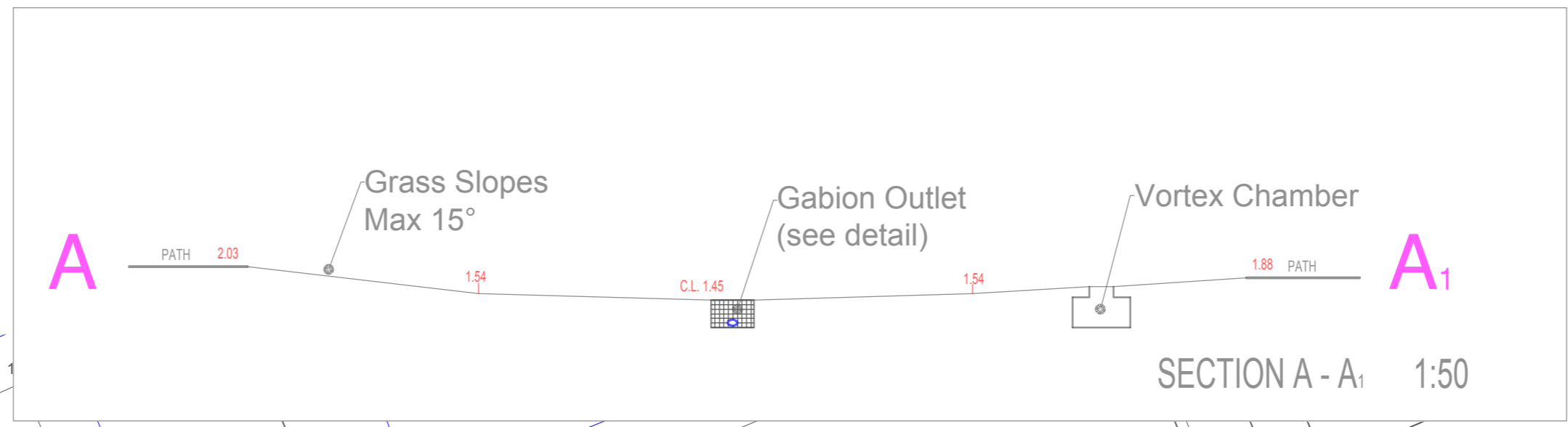
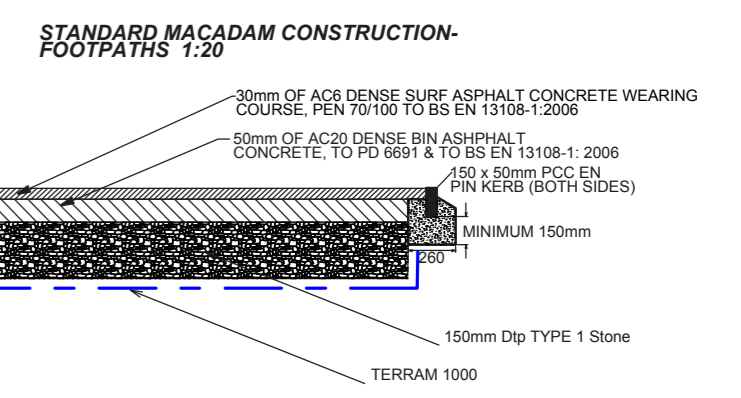
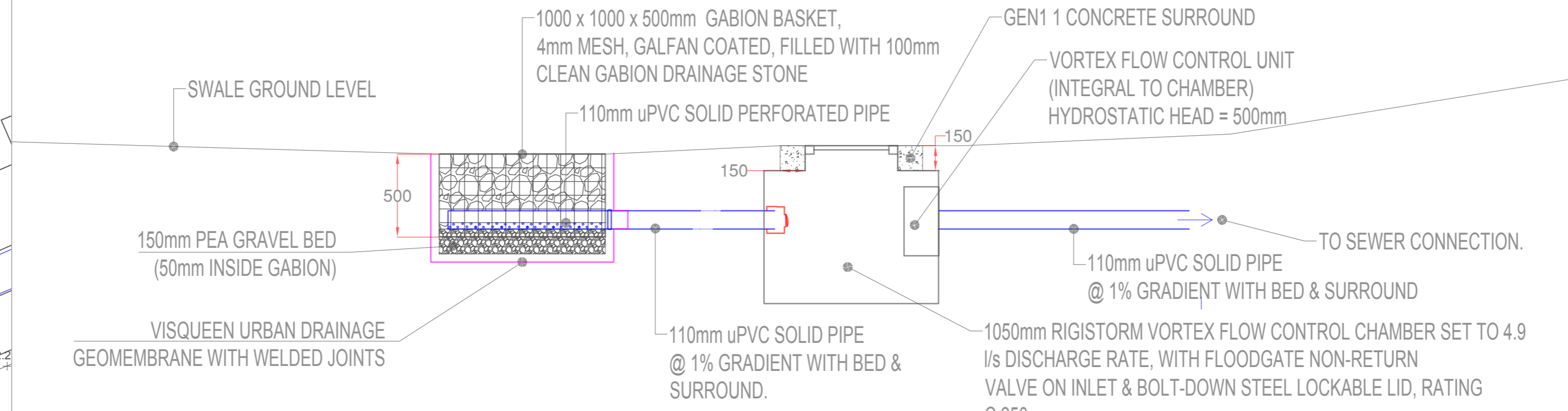
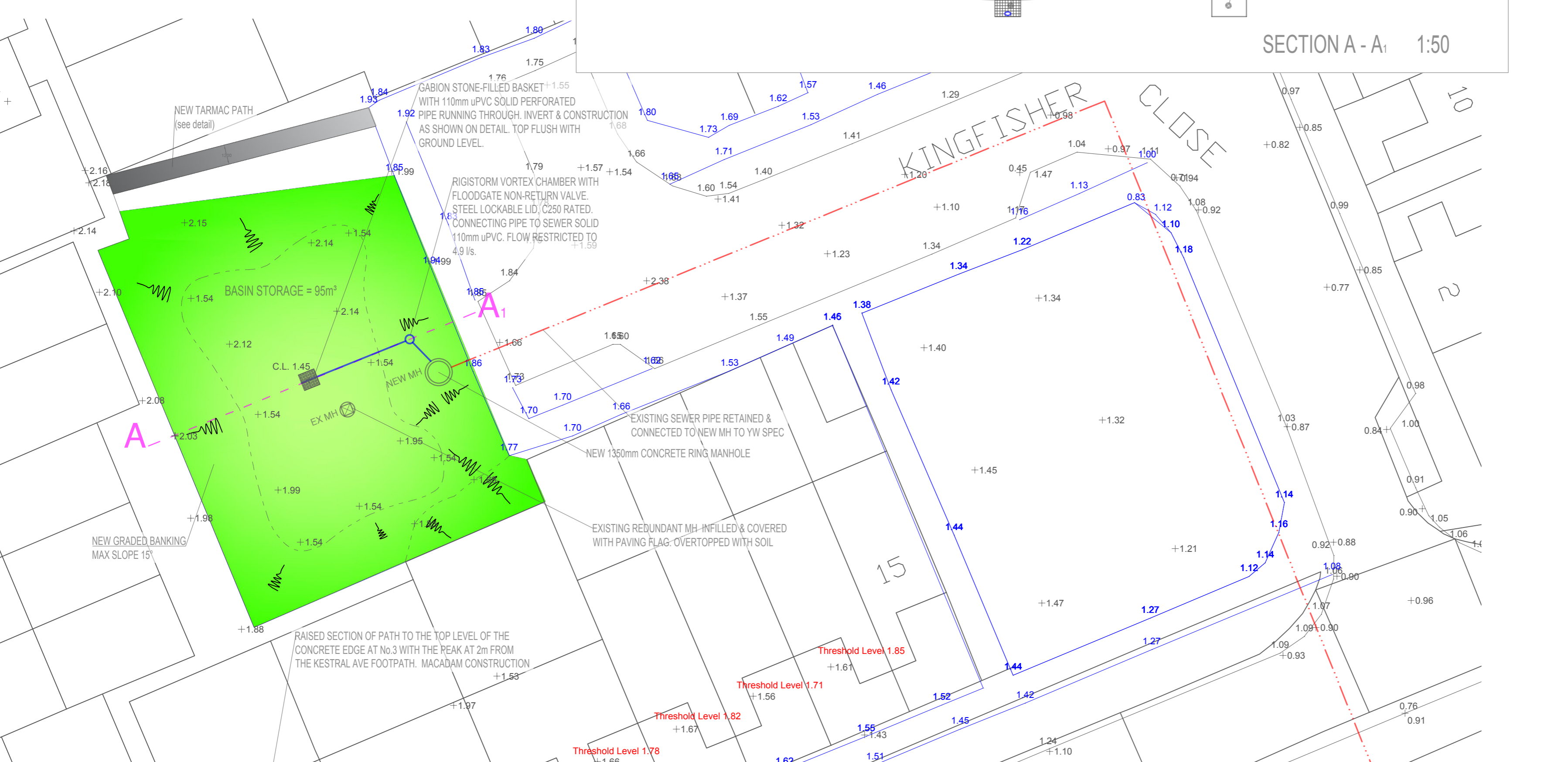


Area seeded area with GERMINAL A.19 @ 50g/m².



NOTES:
 This drawing is produced for use in this project only and may not be used for any other purpose. NPS Property Consultants Ltd accept no liability for the use of this drawing other than the purpose for which it was intended in connection with this project as recorded on the title block fields. Purpose for issue and Title Status Code.
 This drawing may not be reproduced in any form without prior written agreement.
 Do not scale from the drawing, use written dimensions only.



+1.40
 1.42 - EXISTING LEVELS

As-Built	AB
REVISY BY: pc	DATE: 10/5/17
CHECKED BY: BL	DATE: 10/5/17
in partnership with	
SCALE BAR	
PURPOSE OF ISSUE	
AS-BUILT	
FILE STATUS CODE	
AB	
© COPYRIGHT NPS GROUP	
A2	

NPS Property Consultants Ltd Earle House, Colonial Street, Kingston Upon Hull, East Yorkshire, HU2 8JY TEL: 01482 334477 FAX: 01482 334478 EMAIL: hull@nps.co.uk			
Head Office: Lancaster House, 18 Central Avenue, St Andrews Business Park, Norwich, NR7 0NR. Tel: 01603 706000 Fax: 01603 706001 Other Office locations can be found on our website: www.nps.co.uk			
Property Design and Management Services			
CLIENT KHCC			
PROJECT Kingfisher Aqua Green			
TITLE As-Built Drawings			
SCALES 1:200	DATE May 2017	DRAWN pc	CHECKED BL
FILE / DRAWING NAME PROJECT NR 16-1-1378	DRAWING FIELDS UNIQUE NR NPS-DR-L 804	REV CODE C1	